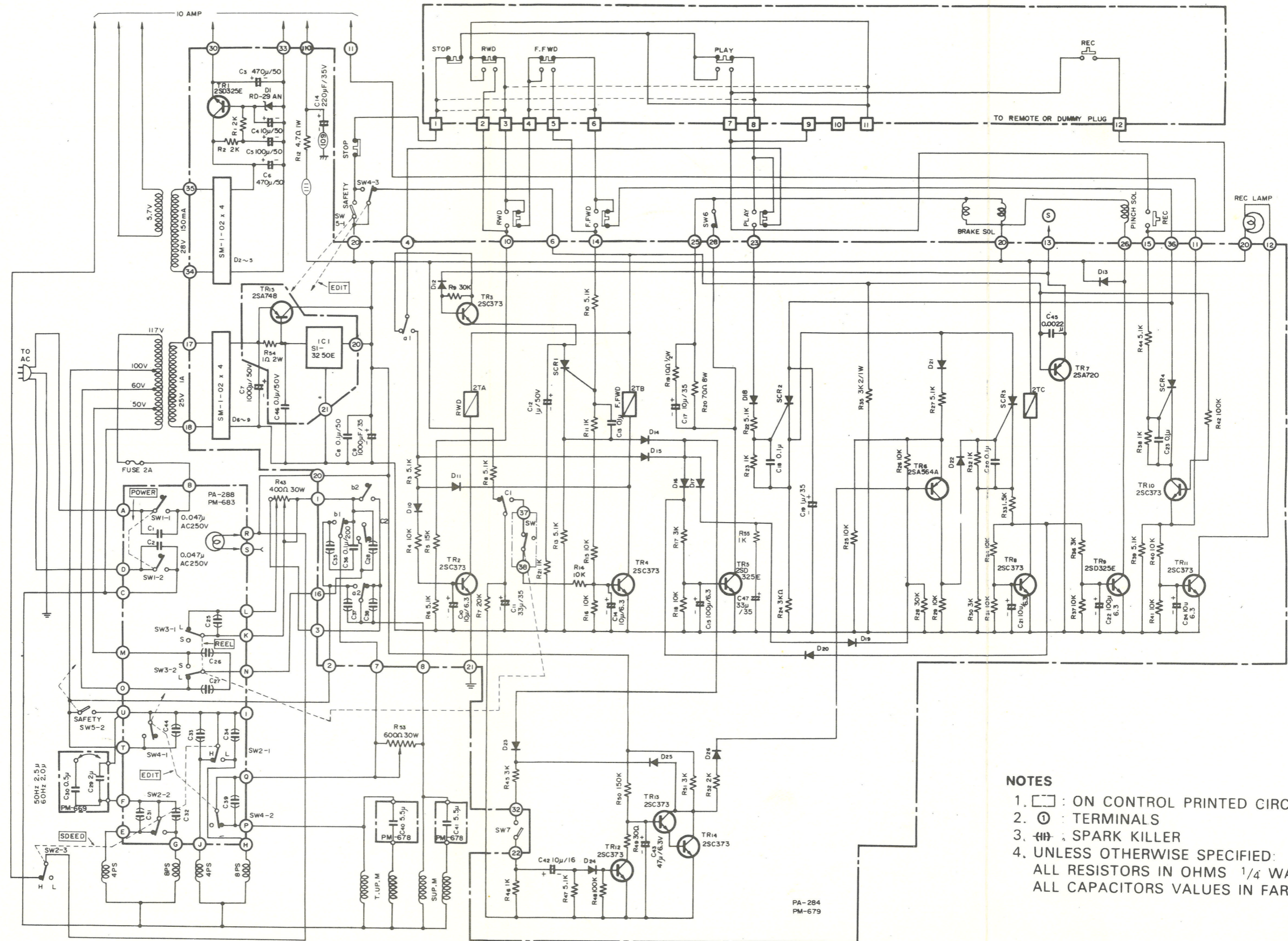


TAPE TRANSPORT (TD-5050)



- NOTES**
1. : ON CONTROL PRINTED CIRCUIT BOARD
 2. : TERMINALS
 3. : SPARK KILLER
 4. UNLESS OTHERWISE SPECIFIED:
ALL RESISTORS IN OHMS 1/4 WATT
ALL CAPACITORS VALUES IN FARADS

PA-264
PM-679